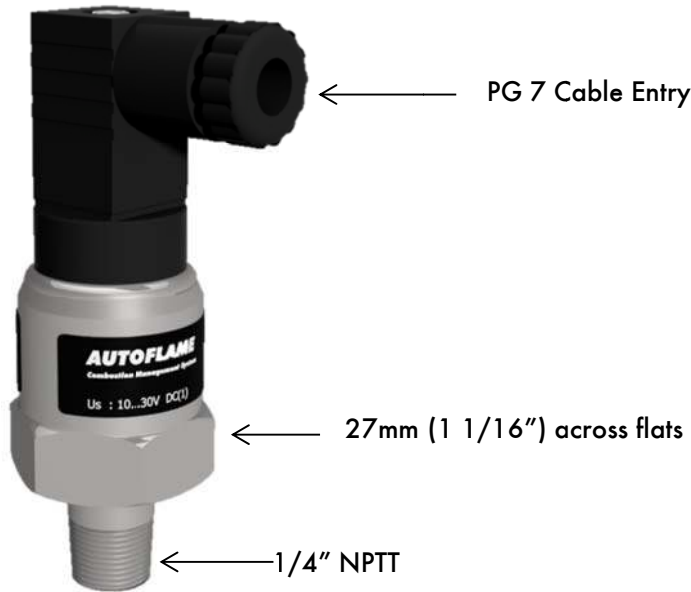


### 1.4 Steam Pressure Sensor

Steam Pressure Sensor	MM
Blue (3)	T37
Green (2)	T38
Red (1)	T39

**For correct operation the detector must be installed with a pressure siphon loop. Do not install an isolation valve between the detector and the pressure vessel.**



Drawing No. 9033

IP	65
NEMA	4
Torque Setting	15-20Nm
O-ring material	Viton
Max storage temp	-25 °C to +85 °C (-13°F to 185°F)
Max operating temp	-25 °C to +85 °C (-13°F to 185°F)
Media temp (steam)	-25 °C to +85 °C (-13°F to 185°F)

Part No	Actual Range	Over Pressure	Burst Pressure
MM10010 (U)	0 - 3.4 bar (0 - 50 PSI)	8 bar (116 PSI)	12 bar (174 PSI)
MM10008 (U)	0 - 20 bar (0 - 300 PSI)	50 bar (725 PSI)	75 bar (1087 PSI)
MM10009 (U)	0 - 34 bar (0 - 500 PSI)	80 bar (1160 PSI)	100 bar (1450 PSI)
MM10017 (U)	0 - 100 bar (0 - 1450 PSI)	200 bar (2900 PSI)	300 bar (4351 PSI)

Plug fits correctly in one position only, do not force.  
 Do not use case to tighten pressure connection.  
 Maximum 2.5mm flat blade screwdriver for electrical connections

Steam Pressure Sensor

