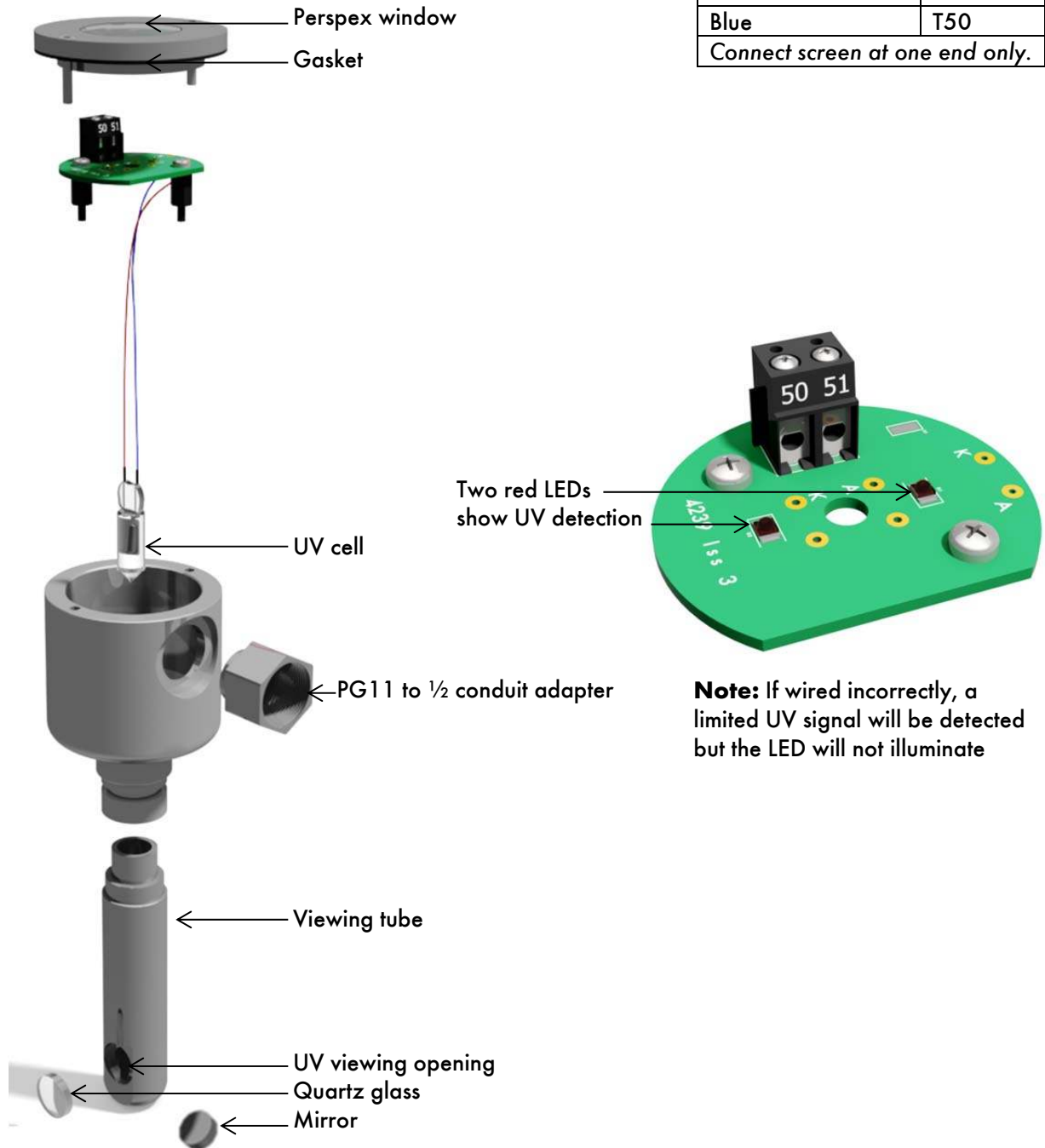


2.2.4 Standard European Side Viewing UV Scanner

Part number: MM60004

Maximum Operating Temperature: 60°C / 140°F

UV Scanner	M.M.
Red	T51
Blue	T50
Connect screen at one end only.	



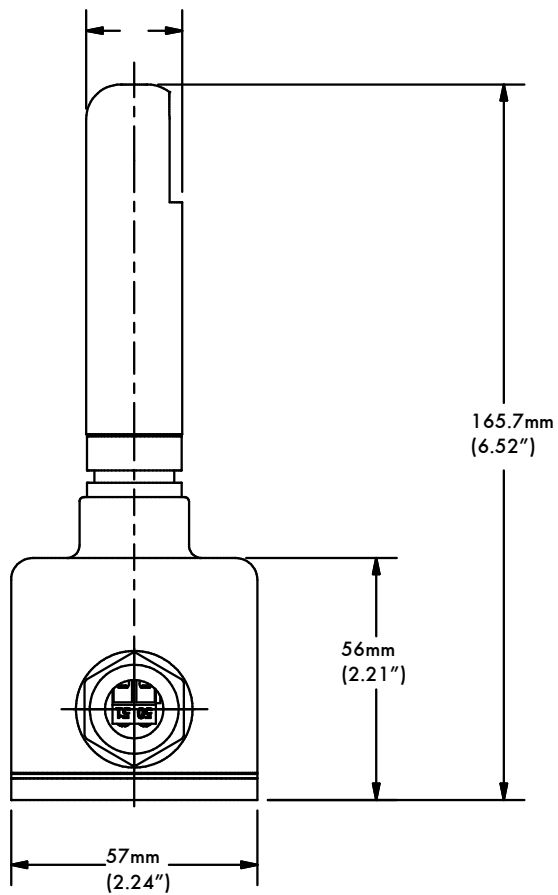
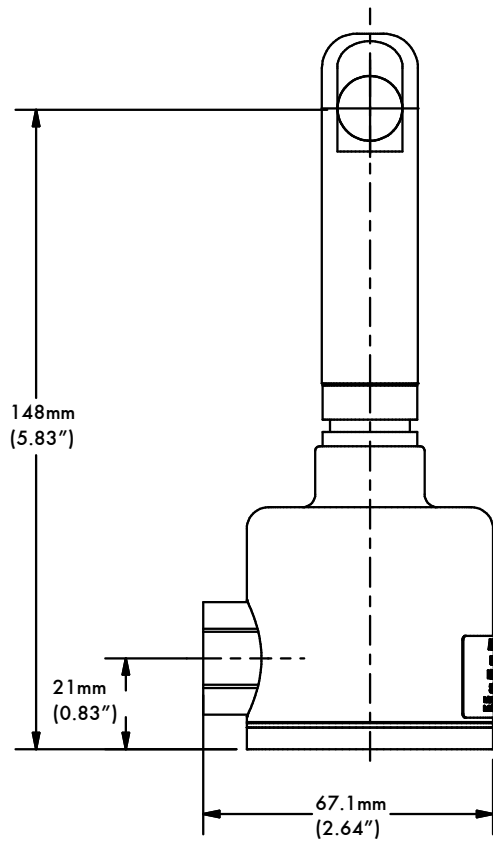
Note: If wired incorrectly, a limited UV signal will be detected but the LED will not illuminate

Drawing No. 9026

- IP 54
- NEMA 5
- Housing Aluminium
- Power Consumption Powered by M.M.
- Mounting Any orientation so that photo tube faces the flame
- [standard european side viewing UV scanner]

2 Flame Safeguard

Standard European Side Viewing UV Scanner



2.2.5 Standard North American UV Scanner – End Viewing

Part number: MM60004/U

Maximum operating temperature: 60°C / 140°F

UV Scanner	M.M.
Red	T51
Blue	T50
Connect screen at one end only.	



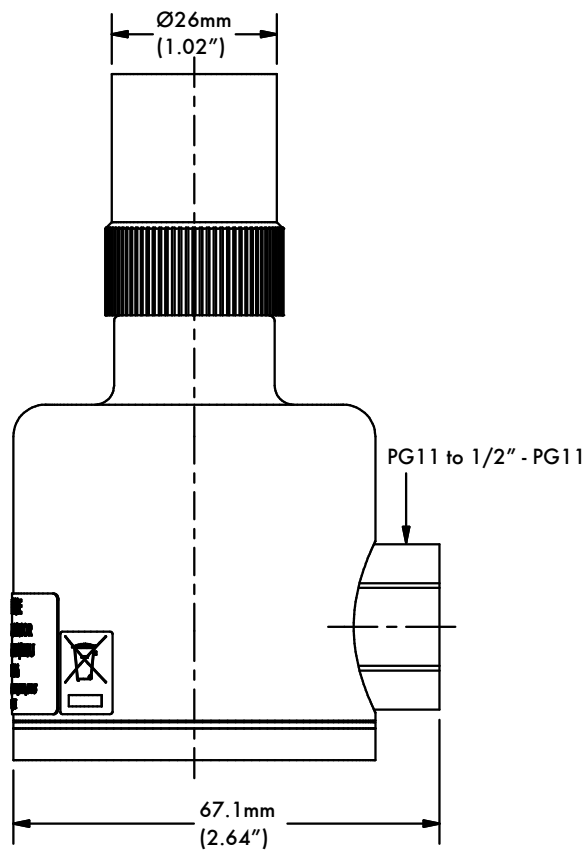
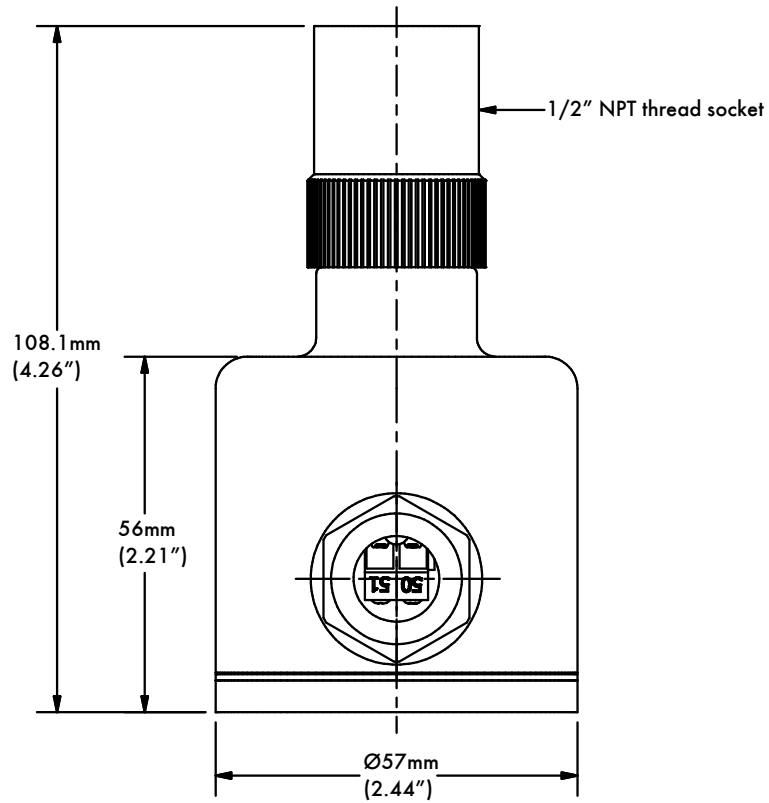
Drawing No. 902

IP
NEMA
Housing
Power Consumption
Mounting

54
5
Aluminium
Powered by M.M.
Any orientation so that photo tube faces flame

2 Flame Safeguard

Standard North American European End Viewing UV Scanner

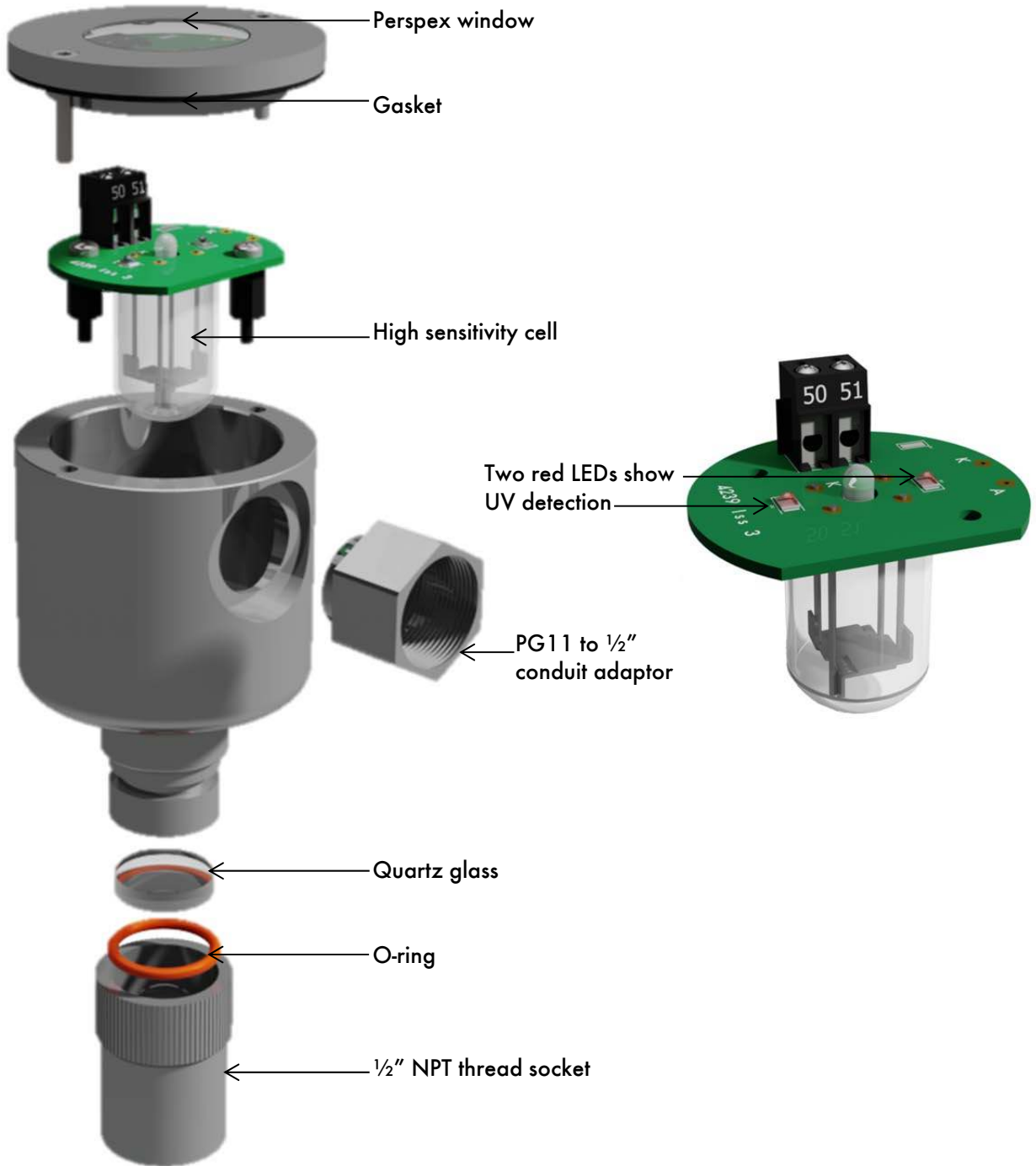


2.2.6 Standard North American UV Scanner – End Viewing High Sensitivity

Part number: MM60004/HSU

Maximum operating temperature: 60°C / 140°F

UV Scanner	M.M.
Red	T51
Blue	T50
Connect screen at one end only.	



Drawing No. 9027

IP
NEMA
Housing
Power Consumption
Mounting

54
5
Aluminium
Powered by M.M.
Any orientation so that photo tube faces flame