

### 1.6 Outside Temperature Sensor

Sensor	Mk8 MM
Red	19
Blue	20

I.P. RATING 65  
 NEMA 4  
 Housing Aluminium  
 Power Consumption Powered by MM  
 Mounting Any Orientation



Drawing No. 9021

### Outside Temperature Compensation Module

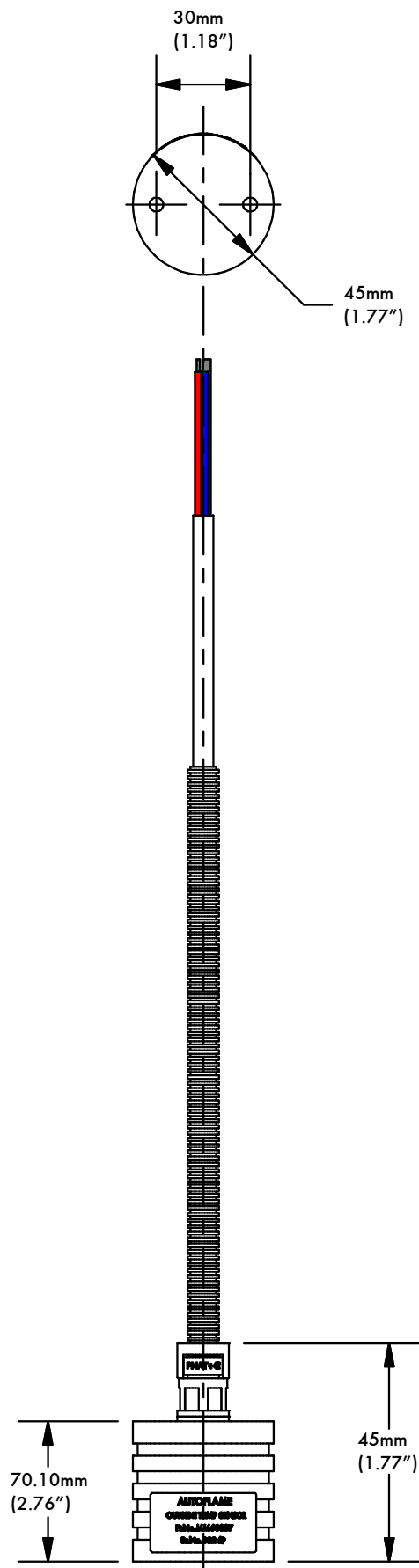


OTC Module	MM
Black	T27
Red	T28

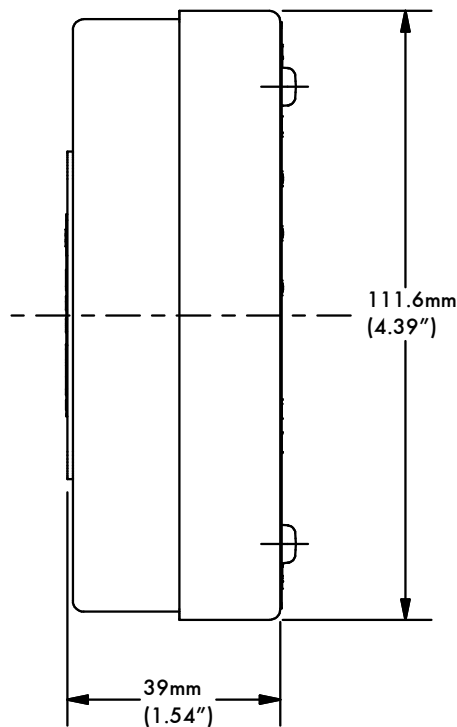
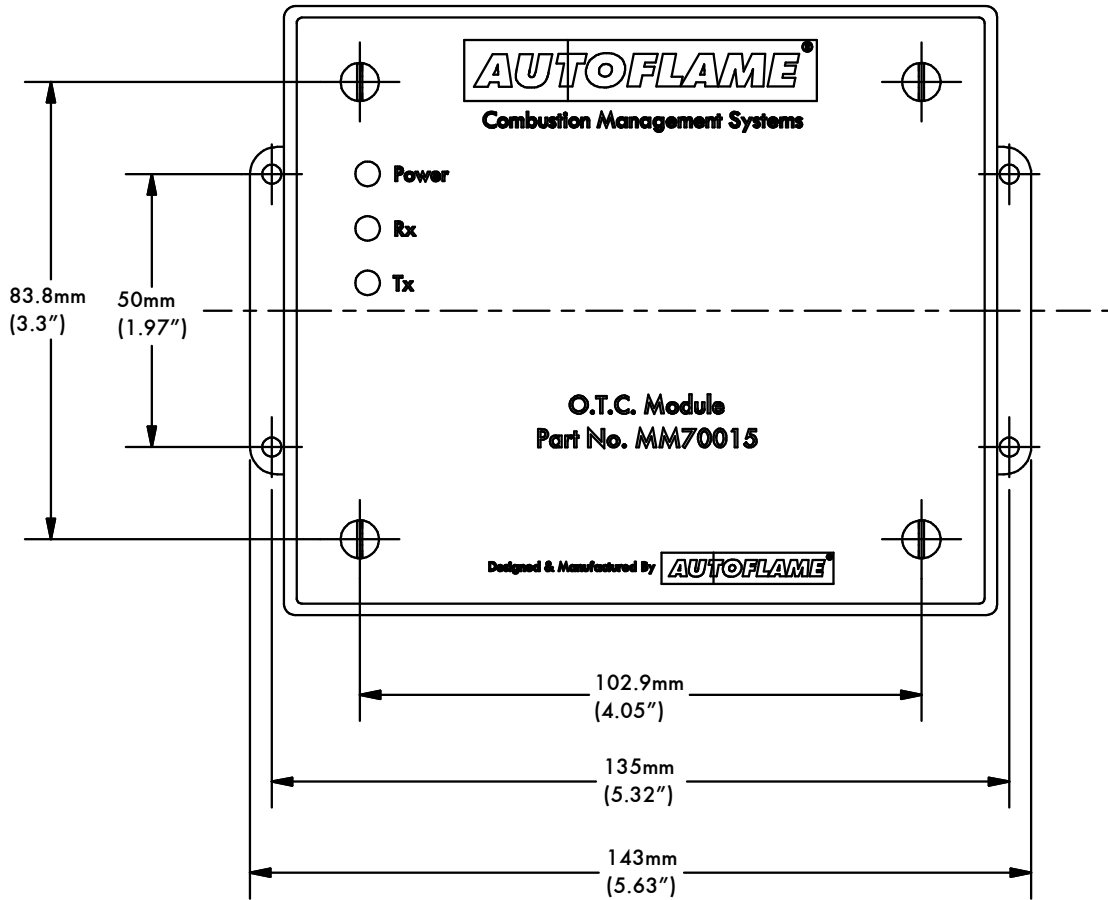
Drawing No. 9022

# 1 Sensors

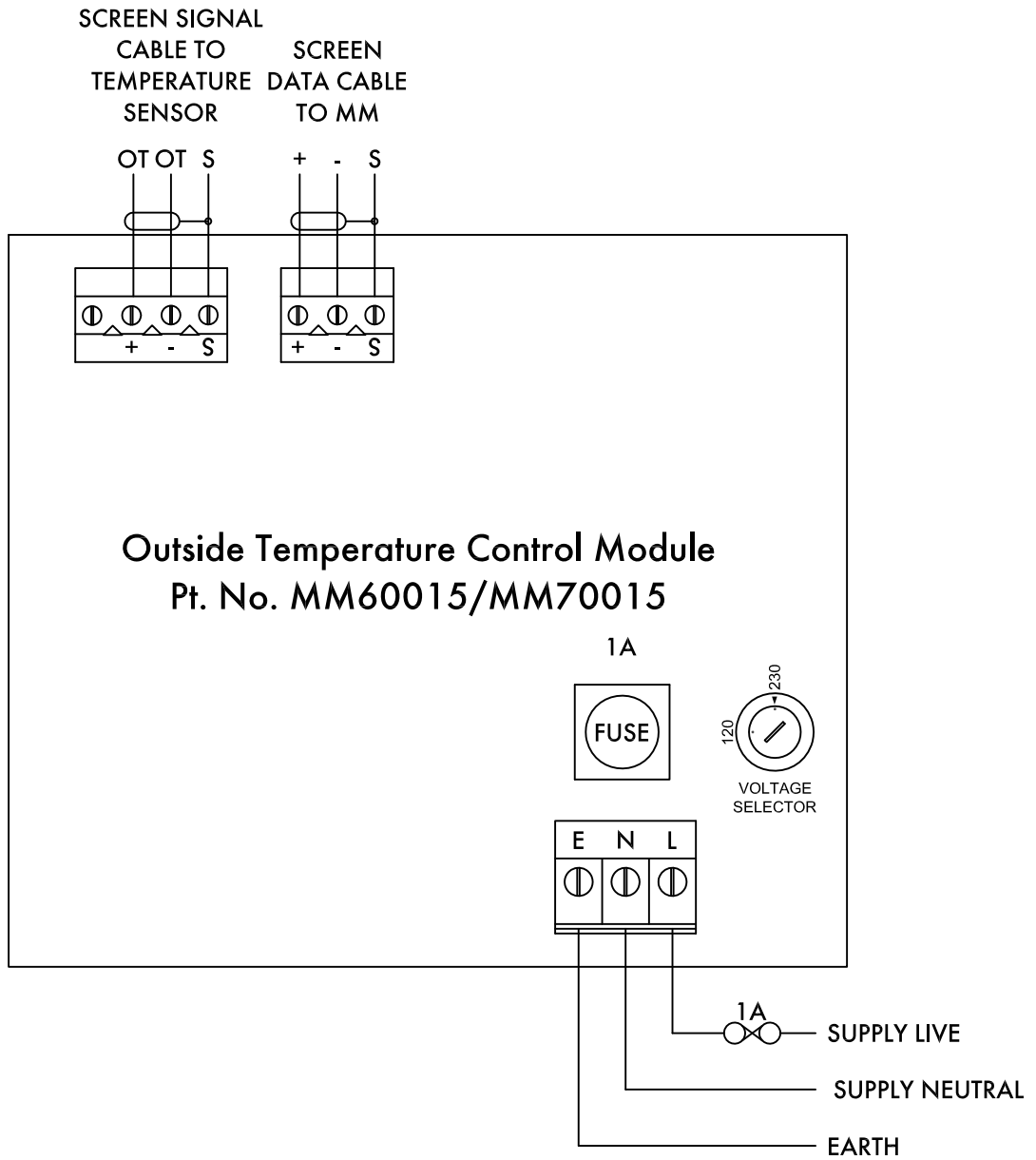
## Outside Temperature Sensor



Outside Temperature Module



Outside Temperature Module - Wiring



**IF IN DOUBT ASK AUTOFLAME  
TECHNICAL DEPARTMENT**

J.H./14.01.16/7946 iss1