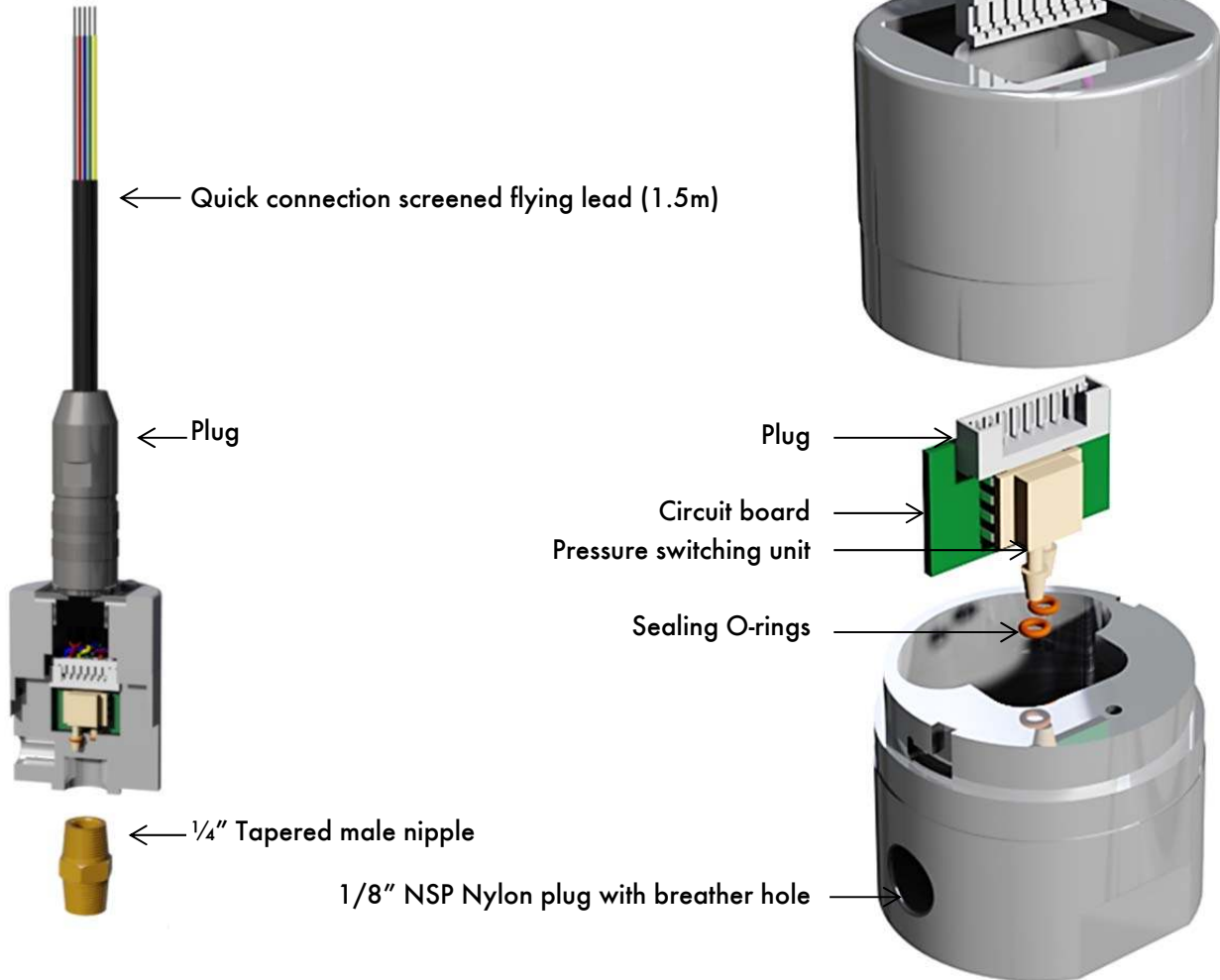


1.3 Air Pressure Sensor

Air Sensor	Mk7 M.M.	Mini Mk8 M.M.
Yellow	T31	/
Green	T32	/
Blue	T33	T48
Red	T34	T49
Brown	/	T29
Purple	/	T30

Connect screen at only one end.

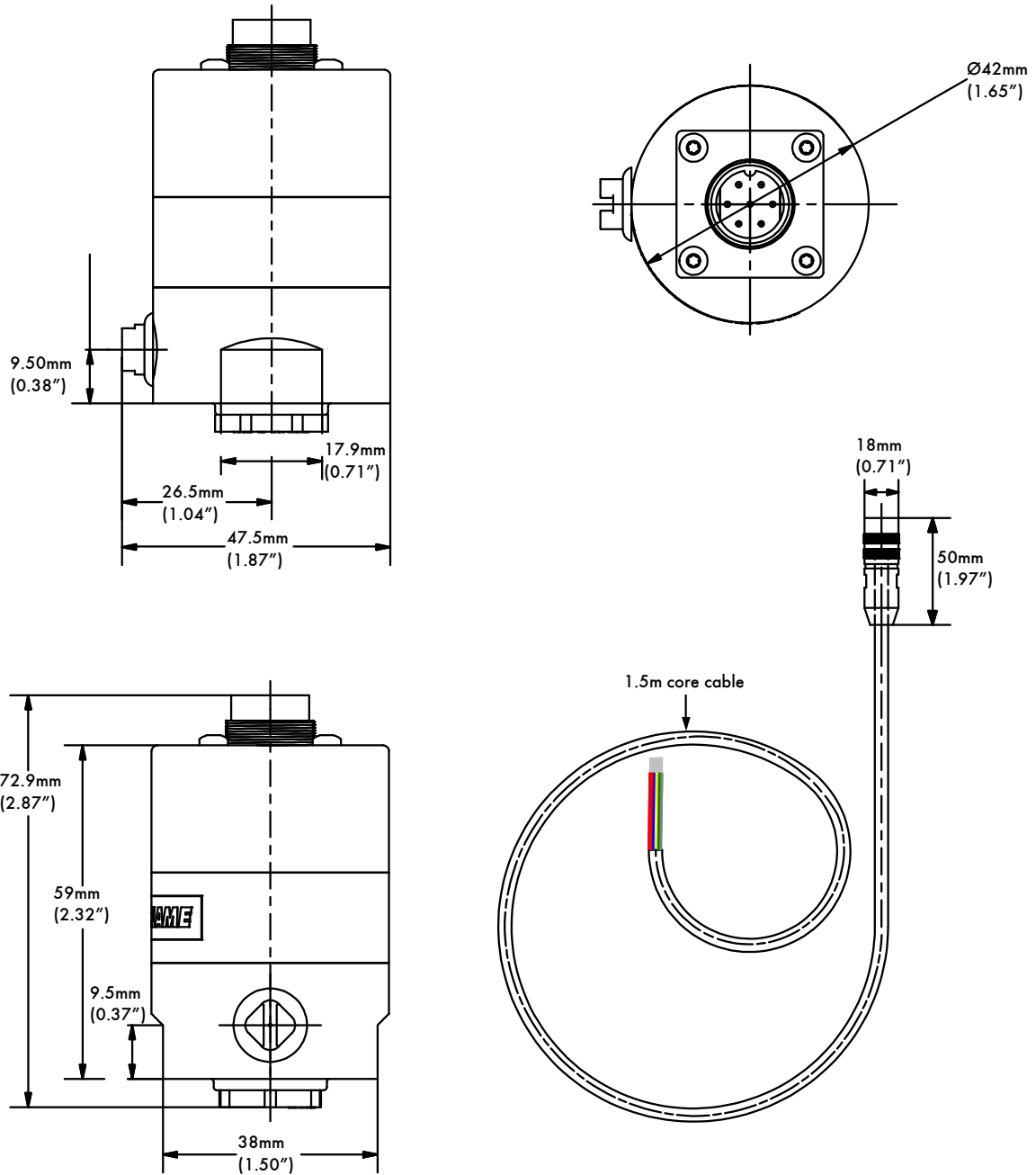


Drawing No. 9005

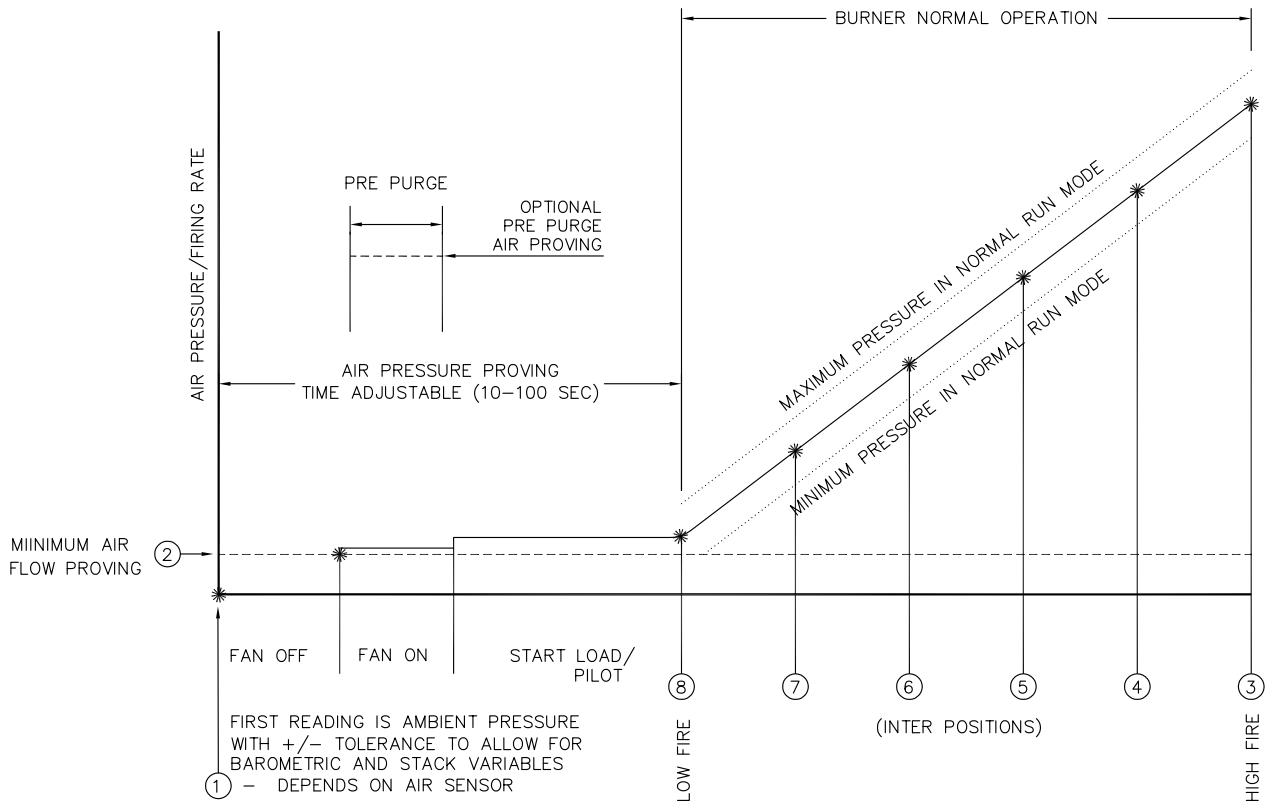
IP 52
 NEMA 5
 Housing & Lid Aluminium
 Power Consumption 0.1 Watts
 Mounting In line as shown. Differential pressure hole away from any water source.

Part No.	Min. Pressure			Max. Pressure			Zero Range	
	mbar	"wg	PSI	mbar	"wg	PSI	mbar	"wg
MM80005	-0.75	0.3	0	65	25	1	-2.5 to 1.25	-1 to 0.5
MM80013	-1.5	0.6	0	130	50	2	-5 to 2.5	-2 to 1

Air Pressure Sensor



1.3.1 Air Pressure Proving



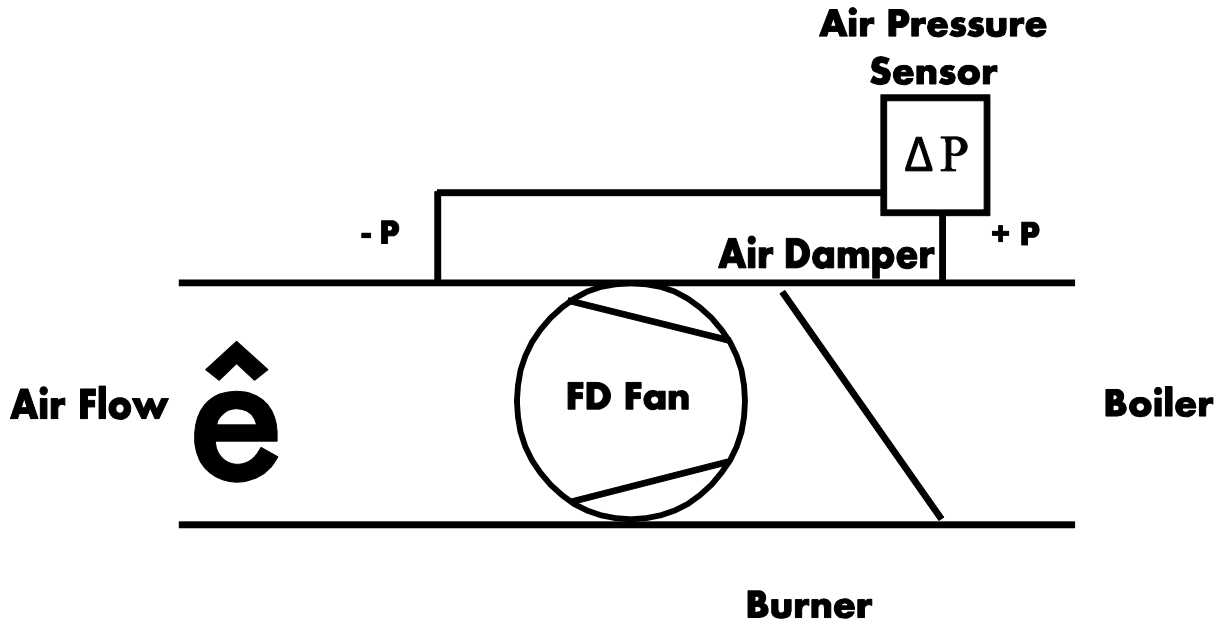
Pressure sensors are dual channel and self-check.

Note:

1. Position 2 must be 0.25" wg (0.62mBar) higher than position 1
2. Minimum pressure in normal run mode must be higher than position 2
3. Position 8 must be set equal to position 2 or higher
4. Default settings for minimum and maximum is 15% above and below entered value

1.3.2 Air Pressure Tapped Fitting

The Autoflame Air Pressure Sensor is supplied with a negative pressure port. This can be removed and installed as shown below, to measure a differential pressure. This is only necessary where the air pressure at low fire is below 0.4" w.g. or 1 mbar or when it is a local code requirement.



For the Mk7 M.M., See Options 145 to 149 in Mk7 M.M. Installation and Commissioning Guide.
 For the Mini Mk8 M.M., see Options 146 to 149 in Mini Mk8 M.M. Installation and Commissioning Guide.